

CATALOG 2019



For any orders or inquiries, The LIFTPLAQ team remains at your disposal :

liftplaq@liftplaq.fr

+33 4 68 89 54 22

www.liftplaq.fr

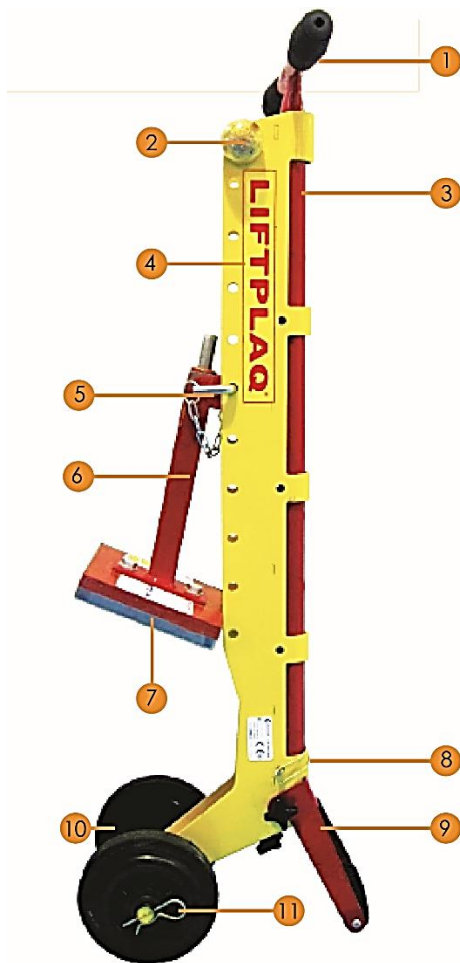
**4A Rue de la tourre
ZA La Gran Selva
66530 CLAIRA - FRANCE**

LIFTPLAQ®



Magnetic lifter tool for a safe handling of manhole covers, slabs and gully gratings allowing access to underground networks

REFERENCE	WEIGHT (KG)	DIMENSIONS (CM)
LIFTPLAQ	18	101 X 33 X 10



- 1 Handle of the tool and brass hammer location
- 2 Brass hammer location
- 3 Adjustable removable handle
- 4 Tool frame
- 5 Pin bent with chain (articulated arm lock)
- 6 Articulated arm
- 7 Powerful magnet
- 8 Removable shaft adjustment pin
- 9 Handle used as kickstand and to release the magnet from the manhole
- 10 Wheels
- 11 Wheels assembly pin

OPTIONS LIFTPLAQ®



T-LIFT

Accessory for handling concrete manholes with a central rectangular hole.

REFERENCE	WEIGHT (KG)	DIMENSIONS (CM)
TLIFT	1.3	28 X 6 X 2.8



WHEELS EXTENSIONS

Accessory for handling large and heavy manholes type Telecom (K2C type).

REFERENCE	WEIGHT (KG)	DIMENSIONS (CM)
ER110	3.5	63.5 X 16.5 X 4



KIT 4 CHAINS

Adjustable base equipped with chains and hooks allowing the opening of slabs, of paved or of manhole covers without metal and provided with orifices to insert the hooks.

REFERENCE	WEIGHT (KG)	DIMENSIONS (CM)
KIT4	3.5	26 X 16.5 X 4



LARGE WHEELS DIAMETER 260 MM

Perfectly adapted to all types of floors.

Associated with the wheels extensions:
 1- increase the distance between the ground and the wheels extensions allowing the thick manholes to pass under the wheels extensions provided to bring the magnet to the wheels

2- transfer a maximum of the weight of the load on the wheels.

REFERENCE	WEIGHT (KG)	DIMENSIONS (CM)
INFLATABLE WHEELS R260G / 2R260G	1.3	26 X 8.5
SOLID PUNCTURE PROOF WHEELS R260AC / 2R260AC	2.6	26 X 8.5

MINI LIFTPLAQ®

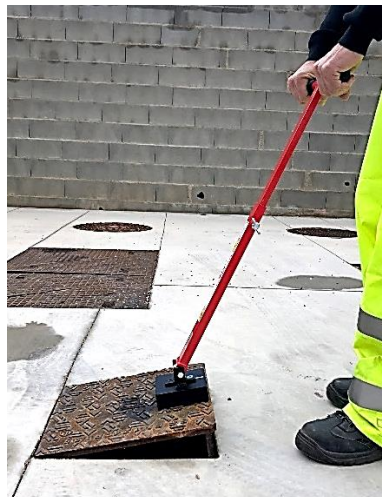


MINI LIFTPLAQ 1-STOP

Handling tool allowing the handling of small manholes (<30kg).

The MINI LIFTPLAQ 1-Stop has a unique handle height: 75 cm

REFERENCE	WEIGHT (KG)	DIMENSIONS (CM)
MINILIFTPLAQ	4	28 X 6 X 2.8



MINI LIFTPLAQ 3-STOPS

Handling tool allowing the handling of small size manholes (<30kg).

The MINI LIFTPLAQ 3-Stops has 3 height adjustment positions : 72 – 79 – 85 cm

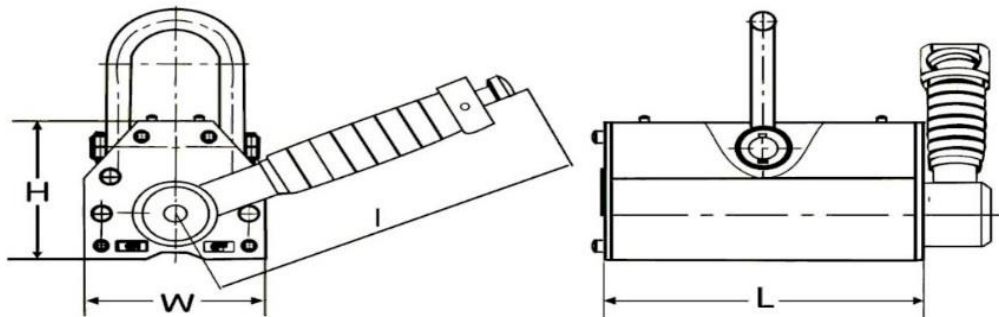
REFERENCE	WEIGHT (KG)	DIMENSIONS (CM)
MINI3	4	28 X 6 X 2.8



LIFTMAGNET

Permanent magnet with ring for the handling of pipes, tuyaux, masses, plaques et tôles métalliques.

REFERENCE	Rated lifting strength	Cylindrical Lifting strength	Max pull-off strength	W	L	H	I	Operation temperature	Net weight
	(Kg)	(Kg)	(Kg)	(mm)	(mm)	(mm)	(mm)	(°C)	(Kg)
LIFTMAG1	100	30	350	62	92	70	145	<80	3
LIFTMAG3	300	100	1050	92	162	96	180	<80	10
LIFTMAG6	600	200	2100	122	232	120	220	<80	24
LIFTMAG10	1000	300	3500	176	258	163	285	<80	50
LIFTMAG20	2000	600	7000	234	378	212	465	<80	125
LIFTMAG30	3000	1000	10500	286	458	261	565	<80	220
LIFTMAG60	6000	2000	18000	296	720	266	710	<80	398



MAGNETIC ROLLING SWEEPER

Magnetic rolling sweeper made of stainless steel for the collection of scrap metal (iron filings, nails, screws ...)

REFERENCE	WEIGHT (KG)	DIMENSIONS (CM)
BALAI	14	52 X 24 X 92